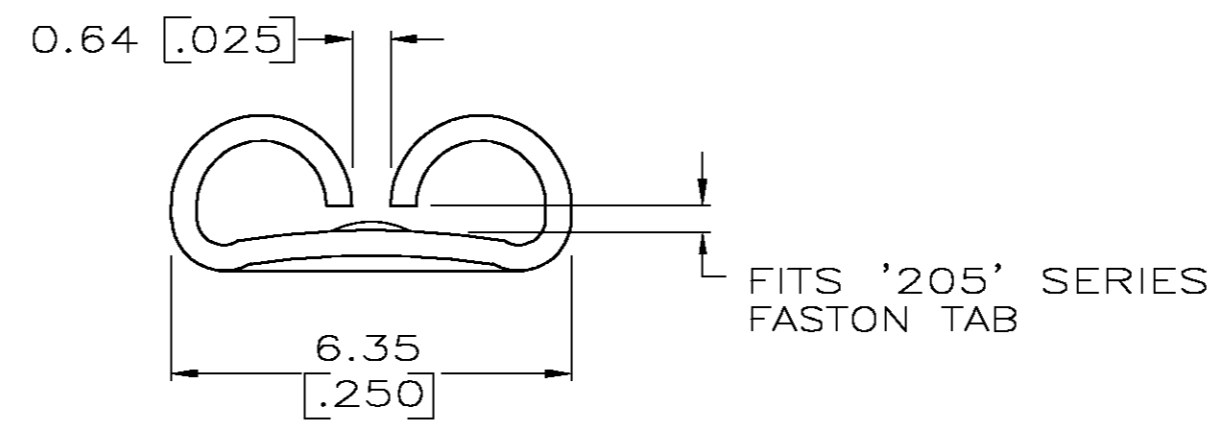
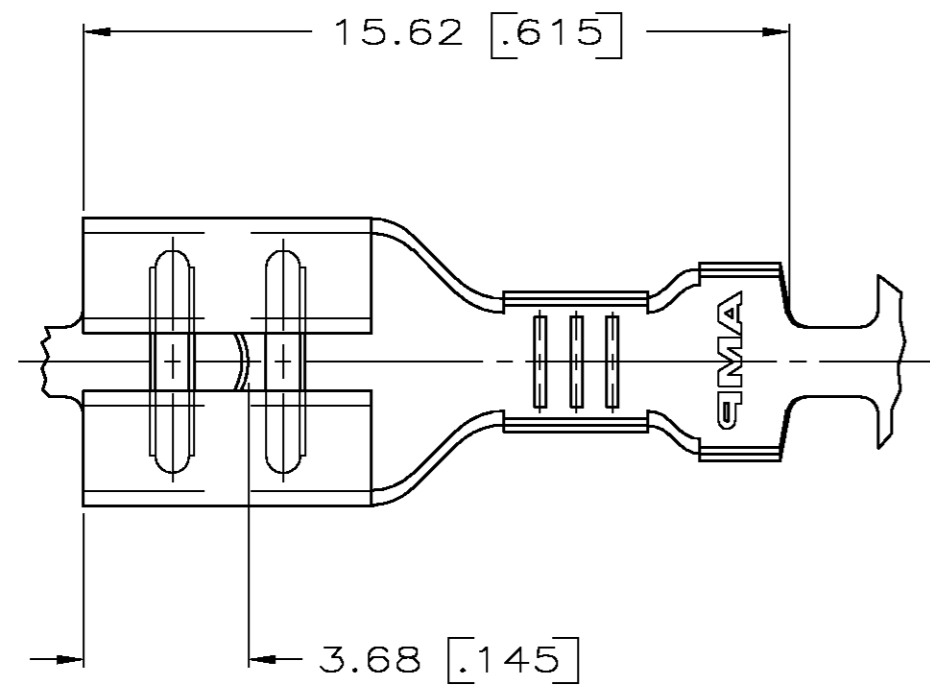


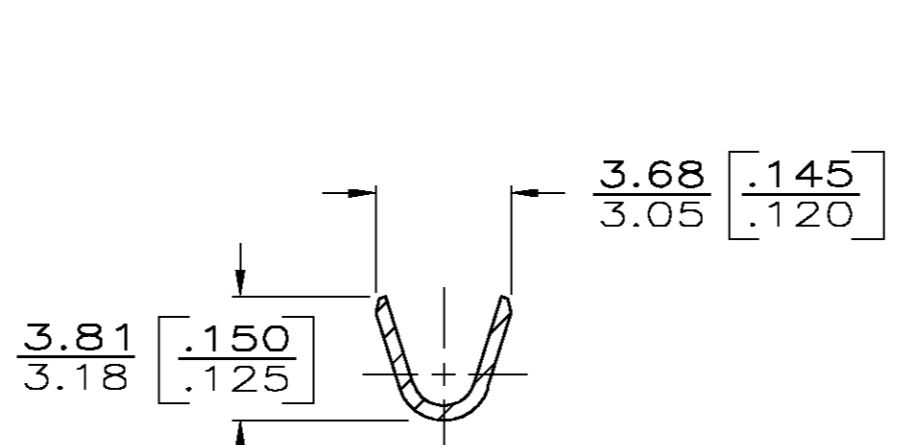
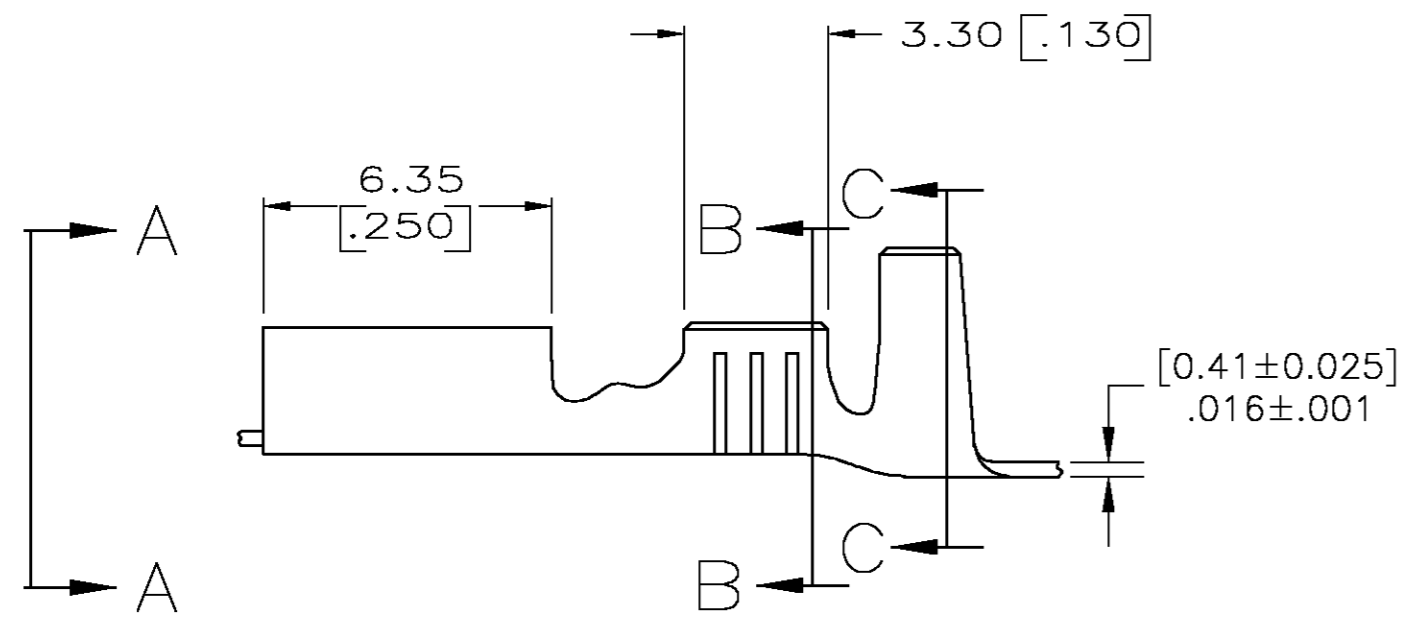
THIS DRAWING IS UNPUBLISHED. RELEASED FOR PUBLICATION
 © COPYRIGHT BY TYCO ELECTRONICS CORPORATION. ALL RIGHTS RESERVED.

LOC		DIST		REVISIONS			
P	LTR	DESCRIPTION		DATE	DWN	APVD	
AF	50	V		REV PER OG3A-0077-03	30APR03	JR	PD

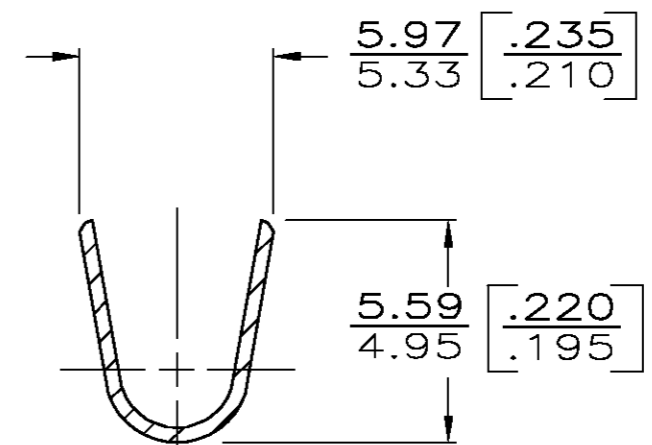
- 1 DIMENSIONS IN BRACKETS ARE IN INCHES.
- 2 CONTINUOUS STRIP ON REELS



VIEW A-A
SCALE 8:1



SECTION B-B



SECTION C-C

3.30-4.57 [.130-.180]	0.8-2.0mm ² [18-14]	-	#4 PHOS BRZ	0.81 [.032]	42233-8 OBS
		TIN	#4 PHOS BRZ		42233-7
		SILVER	#4 PHOS BRZ		42233-6
		GOLD	4M BRASS		42233-5 OBS
		GOLD	4M BRASS		42233-4 OBS
		SILVER	4M BRASS		42233-3 OBS
		TIN	4M BRASS		42233-2
		-	4M BRASS		42233-1 OBS
INSUL RANGE	WIRE SIZE	FINISH	MATERIAL	MATING TAB THK ±0.025[±.001]	PART NO

THIS DRAWING IS A CONTROLLED DOCUMENT.

DIMENSIONS: INCHES	TOLERANCES UNLESS OTHERWISE SPECIFIED:	DWN: JR RUTH 5/15/89	Tyco Electronics Corporation Harrisburg, PA 17105
	0 PLC ± -	CHK: MS FEHER 5/15/89	
	1 PLC ± -	APVD: MS FEHER 5/15/89	
	2 PLC ± -	NAME: RECEPTACLE, FASTON, .205 SERIES	
	3 PLC ± 0.025 .010	SIZE: A2	
4 PLC ± -	ANGLES ± -	CAGE CODE: 00779	DRAWING NO: C=42233
MATERIAL: SEE TABLE	FINISH: SEE TABLE	WEIGHT: -	RESTRICTED TO: -
CUSTOMER DRAWING		SCALE: 6:1	SHEET: 1 OF 1

42233